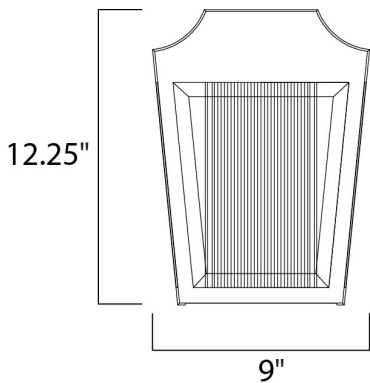




**PRODUCT DESCRIPTION**

A ribbed glass diffuser glows in the night as it is illuminated by an energy efficient LED light source concealed in the hood. Available in two finish combinations Adobe with Topaz Ribbed and Anthracite with Clear Ribbed diffusers.





**MEASUREMENTS**

DIMENSION : 9" W x 12.25" H x 4.75" Ext  
 BACK PLATE : 8.75" W x 12" H x 6" HCO  
 HANGING WEIGHT : 8 lb

**LAMPING**

INPUT VOLTAGE : 120V  
 LUMENS : 560 Rated  
 BULB : 1 x 7W LED PCB Integrated , 7W Total  
 BULB INCLUDED : (Integrated)  
 DIMMABLE : Triac CL  
 CRI : 80+ CRI  
 COLOR\_TEMP : 3000K

**FINISHES OPTION**

-  Adobe
-  Anthracite

**GLASS**

Clear and Clear Ribbed CLCR

**MATERIAL**

Die Cast Aluminum

**RATINGS**

Wet Location  
 For Outdoor



**ADDITIONAL**

OPERATING TEMPERATURE:  
 -20°C (-4°F), 40°C (104°F)

Always consult a qualified electrician before installing any lighting product.



**WESTERN DISTRIBUTION CENTER (HEADQUARTER)**  
 253 NORTH VINELAND AVE | CITY OF INDUSTRY, CA 91746

**EASTERN DISTRIBUTION CENTER**  
 4200 SHIRLEY DR. | ATLANTA, GA 30336

P. 626.956.4200 | F. 626.956.4225 | maximlighting.com