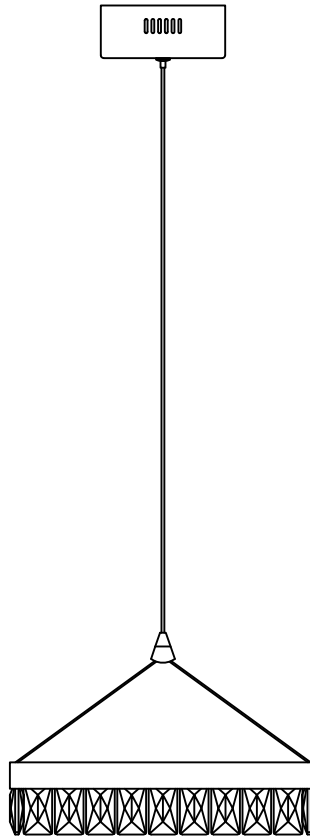




PRODUCT NAME: Icycle LED Pendant  
ITEM NUMBER:38373BCPC

Please consult your electrician for hanging fixture and wiring.



The fixture is designed to dim with a standard Triac forward phase dimmer. Dimming levels will vary by dimmer.

Below is a list of recommended dimmers:

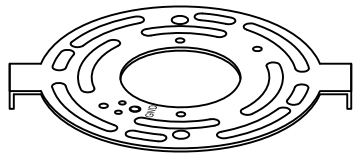
- Lutron MACL-153M
- Lutron DVCL-153P
- Lutron SCL-153P
- Leviton IPL06-10Z
- Leviton 6674-POW

Due to inrush current wattage should not exceed 150 watts of product for a 600 watt dimmer.

Warning! Wires need to be connected to driver found in canopy and should not be connected directly to power source or a short may occur.

Bulb(integrated):LED 17.2W

IMPORTANT: Turn off the power at the main fuse or circuit breaker box before starting installation



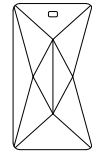
(A)  
Mounting Bracket



(B)  
Wire Nut

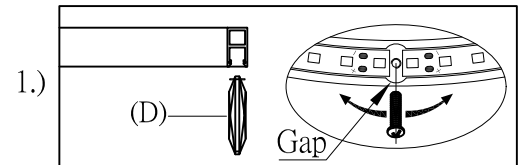
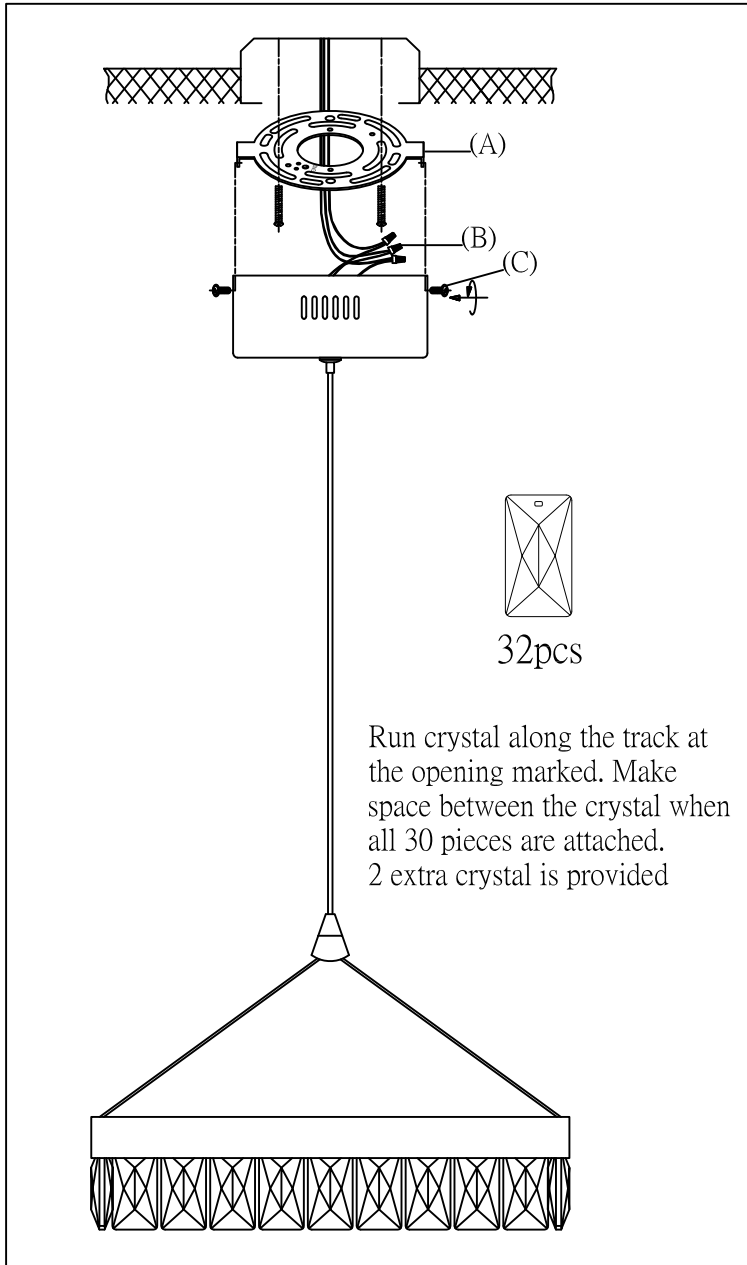


(C)  
Screw

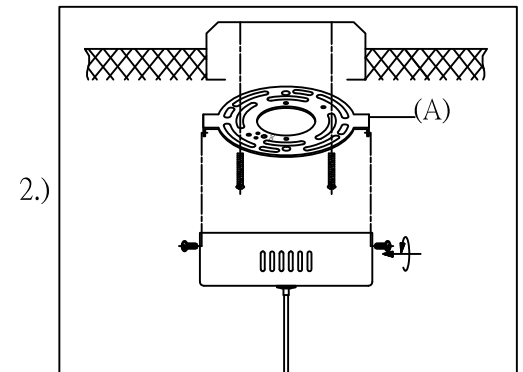


(D)  
crystal

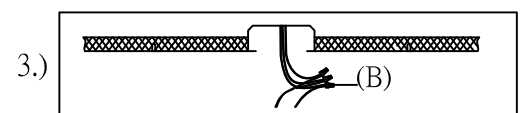
Locate all hardware & components before discarding packaging



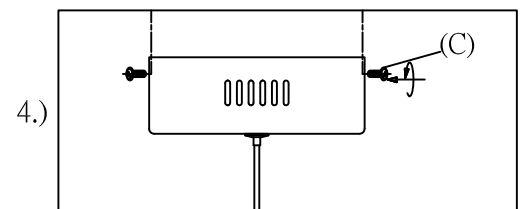
1.) Please refer to the gap mark, insert the crystal (D) into the Aluminum track, then fixed the screw.



2.) Remove mounting bracket (A) from fixture and install to electrical box.



3.) Wire fixture to wires (B) in outlet box. Copper wire is for Ground.



4.) Adjust wire length to desired mounting height, Install lamp body to back plate using two screws (C) on side to secure.

### Cleaning & Care:

Clean with soft cloth and a mild detergent.  
Do not use abrasive cleaner.