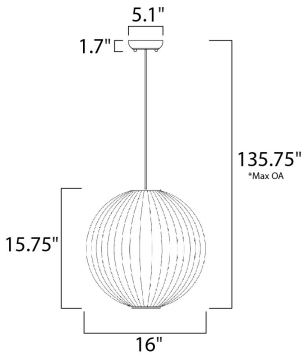




**PRODUCT DESCRIPTION**

Simple clear glass cylinders are secured by decorative thumb screws in this transitional collection of sconces and pendants both neutral in design and suitable for damp applications. Choose from Satin Nickel or a two-tone Black and Satin Brass finish to pair with popular interior finishes in hardware, plumbing and decor.



\*max overall height

**MEASUREMENTS**

- DIMENSION : 39" W x 8.25" H x 5.5" Ext
- BACK PLATE : 4.75" W x 4.75" H x 2.25" HCO
- HANGING WEIGHT : 6.42 lb

**LAMPING**

- INPUT VOLTAGE : 120V
- BULB : 5 x 60W Incandescent E26 Medium , 300W Total
- BULB INCLUDED : (Not Included)

**FINISHES OPTION**

-  Black / Satin Brass
-  Satin Nickel

**GLASS**

Clear CL

**MATERIAL**

Steel, Glass

**RATINGS**

Damp Location



**ADDITIONAL**

INSTALL UP/DOWN: Up/Down  
 OPERATING TEMPERATURE:  
 -20°C (-4°F), 40°C (104°F)

Always consult a qualified electrician before installing any lighting product.



**WESTERN DISTRIBUTION CENTER (HEADQUARTER)**  
 253 NORTH VINELAND AVE | CITY OF INDUSTRY, CA 91746  
**EASTERN DISTRIBUTION CENTER**  
 4200 SHIRLEY DR. | ATLANTA, GA 30336  
 P. 626.956.4200 | F. 626.956.4225 | maximlighting.com