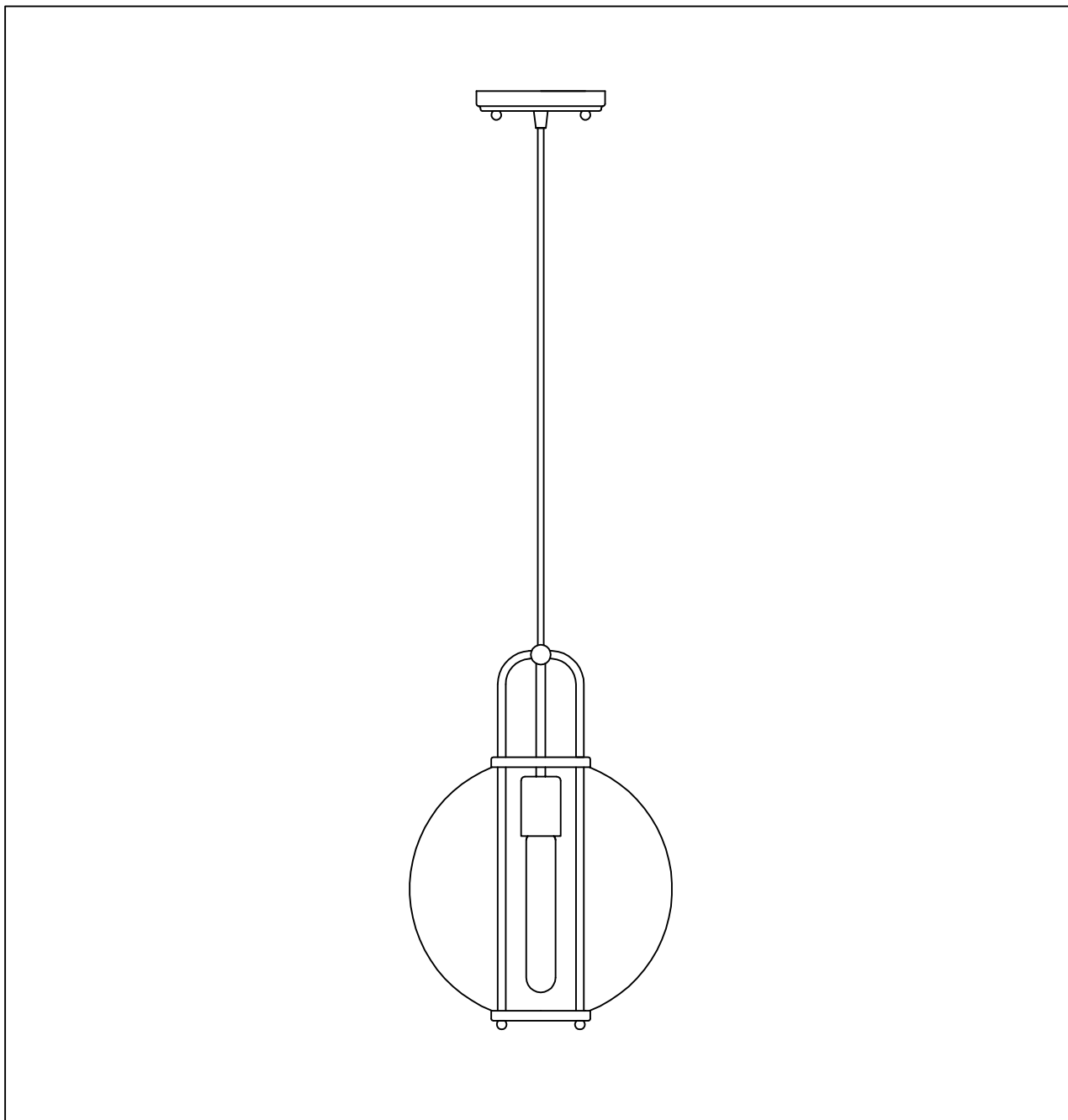




PRODUCT NAME: Minaret 1-Light Pendant
NUMBER: 10084

Please consult your electrician for Hang fixture and wiring.



Bulb (Not included) : 1*MB 60W

IMPORTANT: Turn off power at the main fuse or circuit breaker box before starting installation



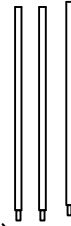
(A) Bracket



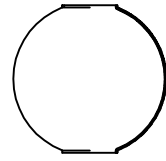
(B) Ball nut



(C) Body

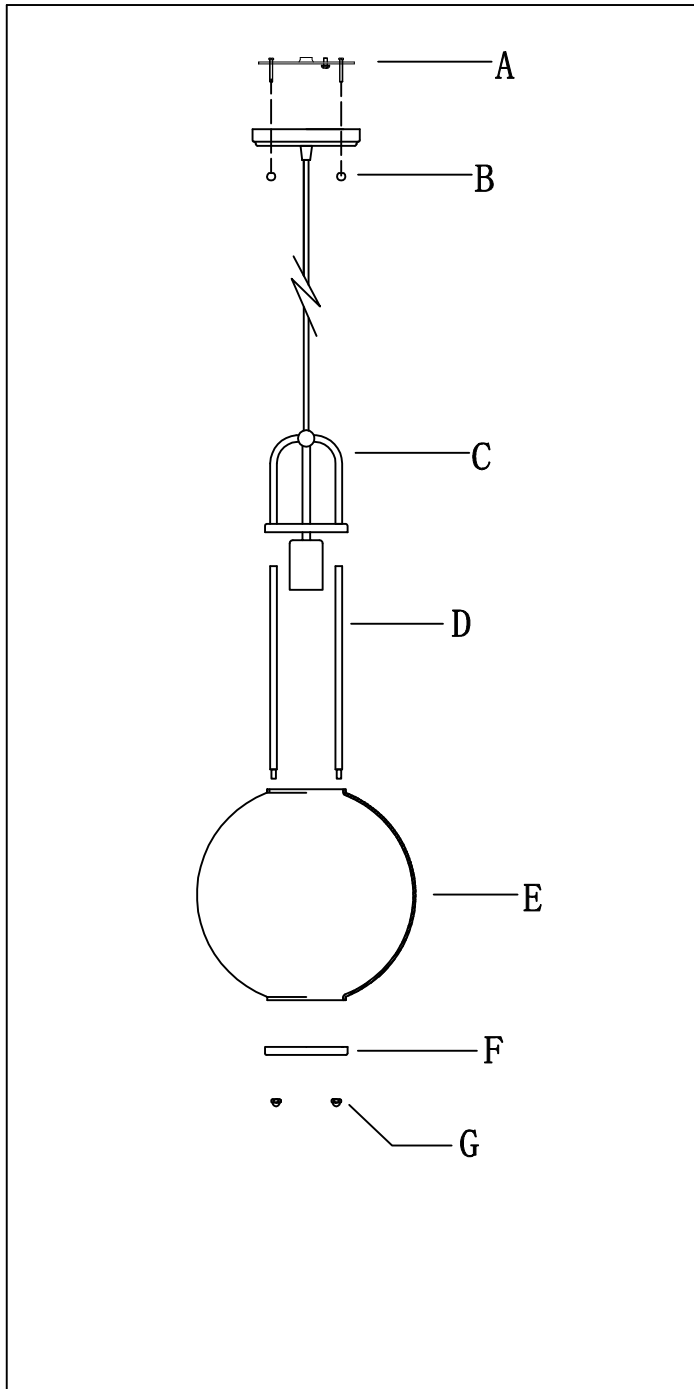


(D) Stem



(E) Glass

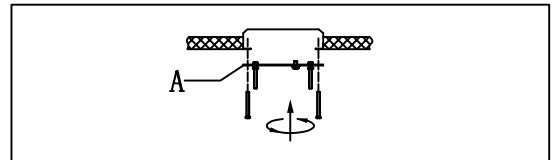
Locate all hardware & components before discarding packaging



Cleaning & Care:

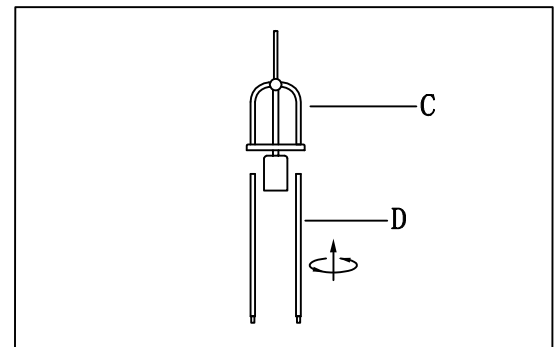
Clean with soft cloth and a mild detergent.
Do not use abrasive cleaner.

1.)



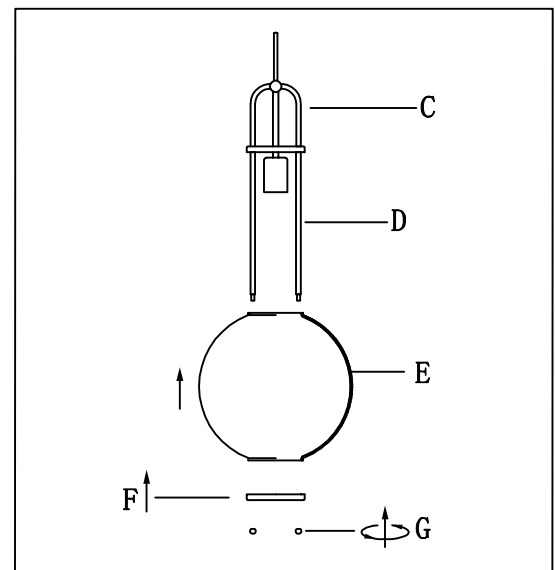
Step. 1: Remove mounting bracket (A) from fixture and install to electrical box.

2.)



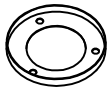
Step. 2: Install stem (D) on body (C).

3.)



Step. 3: Up to install glass shade (E) on body (C), then put part (F) on the bottom of glass, and use lock nut (G) to secure glass.

IMPORTANT: Turn off power at the main fuse or circuit breaker box before starting installation

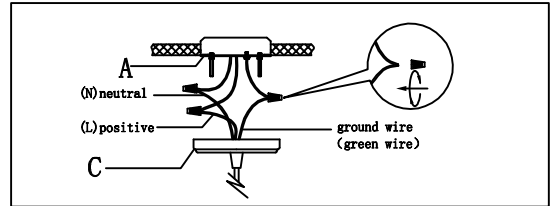
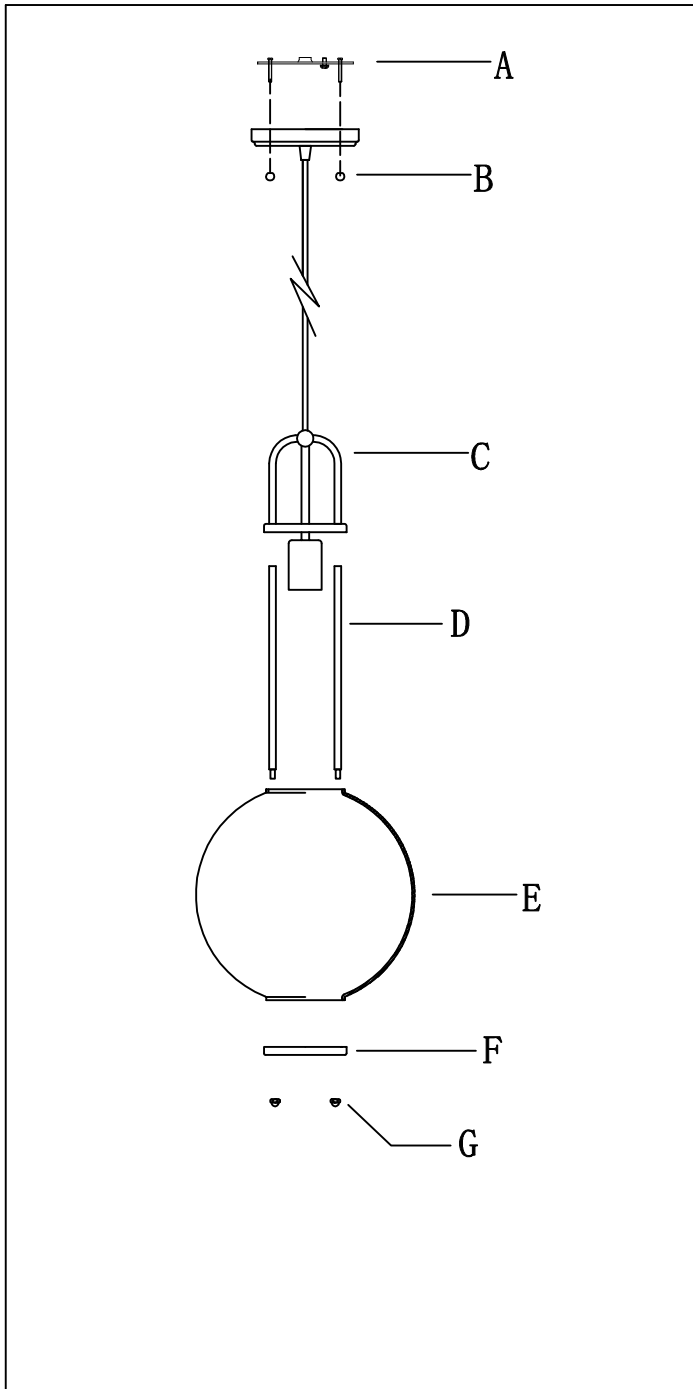


(F) Part

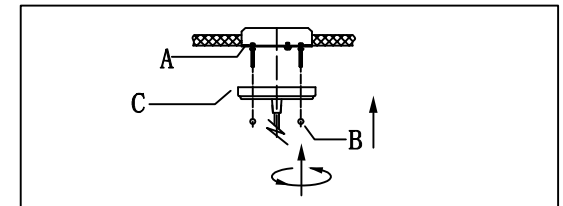


(G) Lock nut

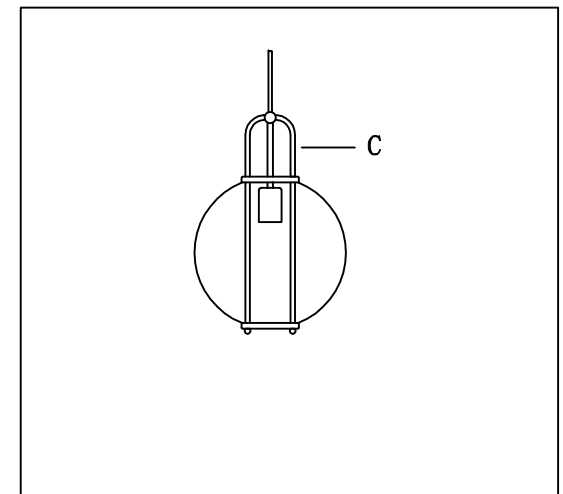
Locate all hardware & components before discarding packaging



Step. 4: Wire fixture to wires in outlet box. Copper/Green wire is for Ground.



Step. 5: Install fixture to bracket and tighten ball nuts (B) on the canopy to secure.



Step. 6: Install the bulb (E)

Cleaning & Care:

Clean with soft cloth and a mild detergent.
Do not use abrasive cleaner.