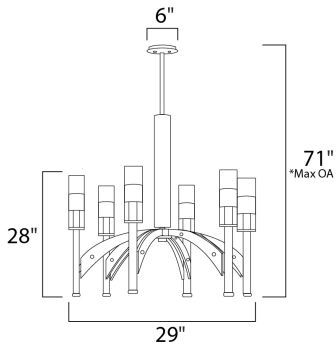




**PRODUCT DESCRIPTION**

A modern classic created using mixed medium in complimentary finishes that come together to compose a beautiful art form. Available in your choice of Wenge wood with Black and Polished Nickel accents or Antique Pecan wood with Bronze and Satin Brass. Tall Clear glass cylinders with a frosted band complement the scale of the design.



\*max overall height

**MEASUREMENTS**

- DIMENSION : 29" L x 29" W x 28" H
- MAX OAH : 71" OAH
- CANOPY : 6" W x 0.75" H x 6" L
- HANGING WEIGHT : 24.64 lb
- WIRE LENGTH : 120"

**LAMPING**

- INPUT VOLTAGE : 120V
- LUMENS : 2,940 Rated
- BULB : 6 x 40W Xenon G9 , 240W Total
- BULB INCLUDED : (Included)
- DIMMABLE : Yes

**FINISHES OPTION**

- Black / Wenge
- Bronze / Antique Pecan

**GLASS**

Clear CL

**MATERIAL**

Steel, Wood, Glass

**RATINGS**

cETLus  
Dry Location



**ADDITIONAL**

ADJUSTABLE  
OPERATING TEMPERATURE:  
-20°C (-4°F), 40°C (104°F)

Always consult a qualified electrician before installing any lighting product.



**WESTERN DISTRIBUTION CENTER (HEADQUARTER)**  
253 NORTH VINELAND AVE | CITY OF INDUSTRY, CA 91746  
**EASTERN DISTRIBUTION CENTER**  
4200 SHIRLEY DR. | ATLANTA, GA 30336  
P. 626.956.4200 | F. 626.956.4225 | maximlighting.com