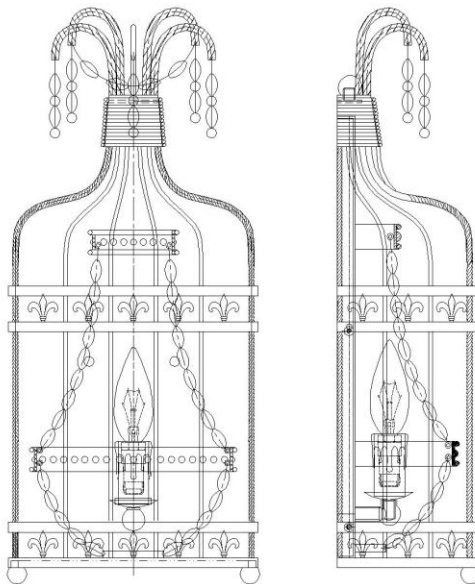




PRODUCT NAME: Gisele 1-Light Wall Sconce
ITEM NUMBER: 26009ATR

Please consult a qualified electrician for hanging fixture and wiring.



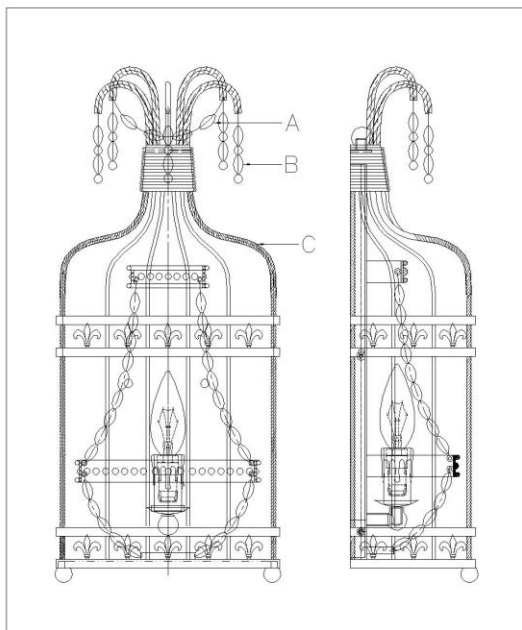
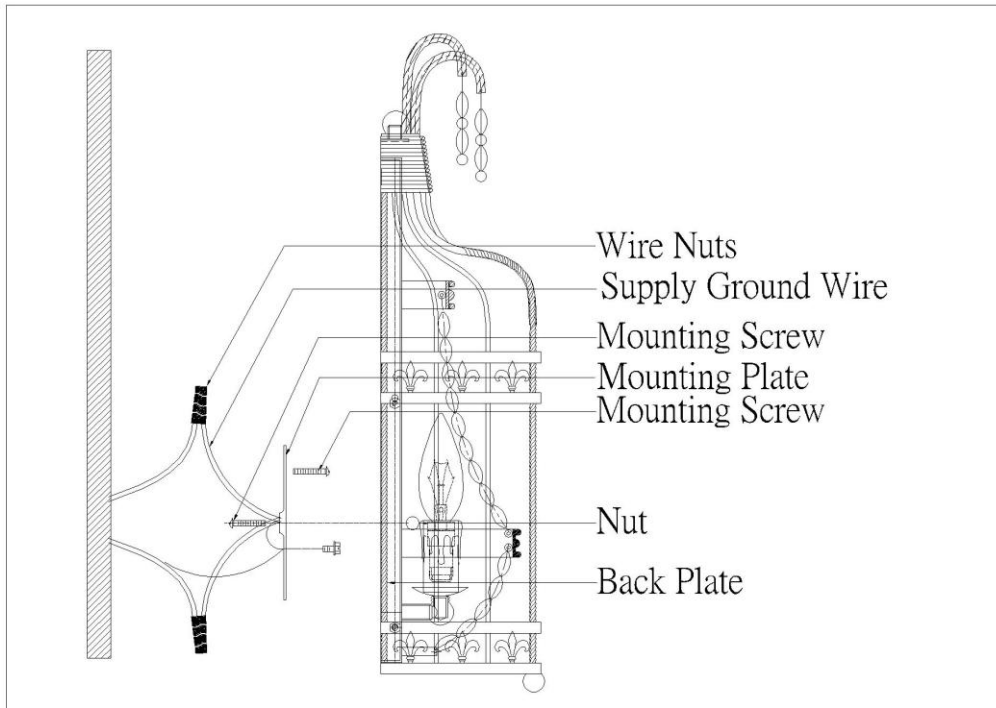
Bulb(included):1*60w E12 Bulbs

PRODUCTS ARE NOT INENDED
FOR COMMERCIAL USE.

MADE IN CHINA
Page 1 of (2)

IMPORTANT: Turn off the power at the main fuse or circuit breaker box before starting installation

Locate all hardware & components before discarding packaging



1. Remove mounting bracket from fixture and install to electrical box.
2. Wire fixture to wires in outlet box. Copper wire is for Ground.
3. Attach back plate to mounting bracket and tighten ball nuts so fixture meets wall.
4. Install max 60W candelabra bulb.