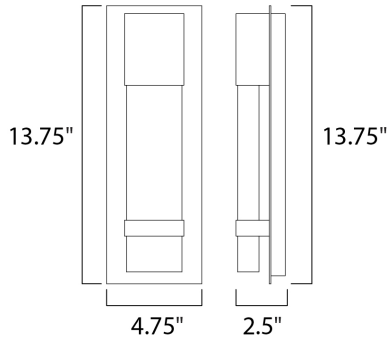




PRODUCT DESCRIPTION

This popular outdoor collection gets an improved facelift and has additional sizes for a more complete collection. The Black finish presents a dramatic background for the solid block of Bubble Glass that is brightly illuminated by the LED concealed in the top housing.



MEASUREMENTS

DIMENSION : 4.75" W x 13.75" H x 2.5" Ext
 BACK PLATE : 4.75" W x 13.75" H x 6.5" HCO
 HANGING WEIGHT : 3.81 lb

LAMPING

INPUT VOLTAGE : 120V
 LUMENS : 450 Rated (400 Del.)
 BULB : 1 x 9W LED PCB Integrated , 9W Total
 BULB INCLUDED : (Integrated)
 DIMMABLE : No
 CRI : 90+ CRI
 COLOR_TEMP : 3000K

FINISHES OPTION

 Black

GLASS

Bubble Glass BG

MATERIAL

Aluminum, Glass

RATINGS

cETLus
 Wet Location
 ADA



ADDITIONAL

INSTALL UP/DOWN: Up
 OPERATING TEMPERATURE:
 -20°C (-4°F), 40°C (104°F)

Always consult a qualified electrician before installing any lighting product.



WESTERN DISTRIBUTION CENTER (HEADQUARTER)
 253 NORTH VINELAND AVE | CITY OF INDUSTRY, CA 91746

EASTERN DISTRIBUTION CENTER
 4200 SHIRLEY DR. | ATLANTA, GA 30336

P. 626.956.4200 | F. 626.956.4225 | maximlighting.com